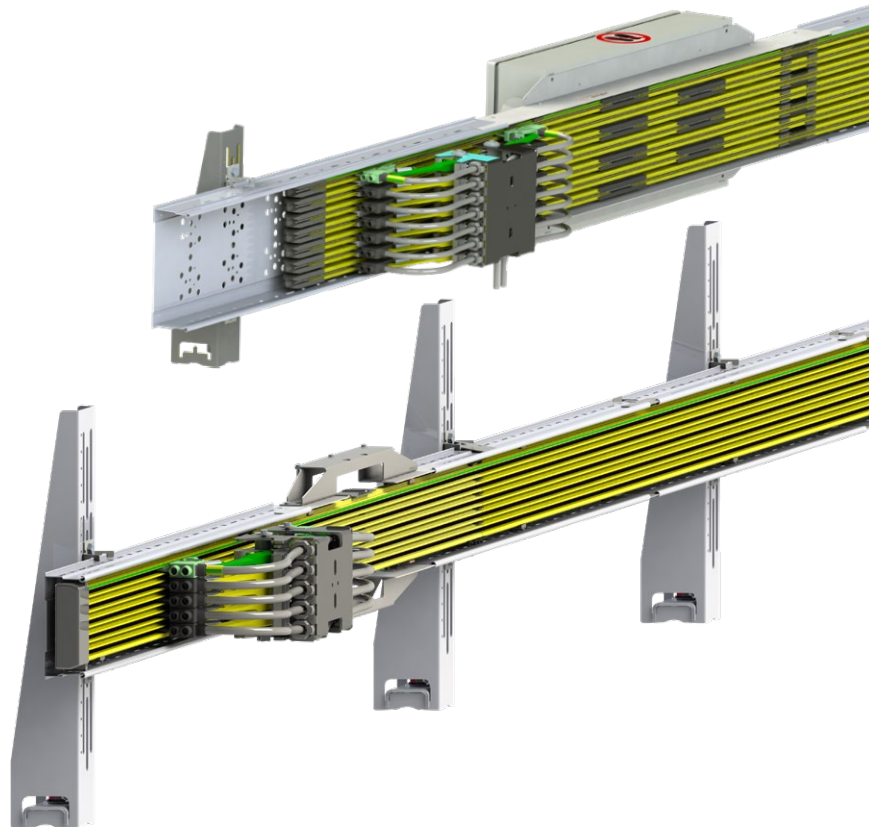


ProShell Support Profile for AS/RS and Transfer Cars

Program Supplement for Conductor Rail Systems SinglePowerLine 0812 and MultiLine 0831

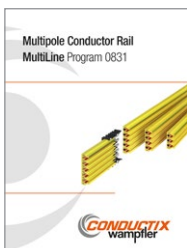


CONDUCTIX
wampfler

Available as download on www.conductix.com



KAT0812-0002
Insulated Conductor Rail
SinglePowerLine Program 0812



KAT0831-0001
Multipole Conductor Rail
MultiLine Program 0831

Table of Contents

System Description	4
System Advantages	6
Technical Data	7
Modular Concept	7
Basic Modules	8
ProShell Basic Module SinglePowerLine 0812	8
ProShell Basic Module MultiLine 0831	9
Extension Modules	9
Hanger Clamps	10
Profile Fasteners	11
Slotted Consoles	12
Current Collectors	14
Current Collector SinglePowerLine 0812	14
Current Collector MultiLine 0831	15
Positioning System	16
Accessories	17
Spare Parts	18
Tools	19
System Installation Plans	20
System Installation Plan – ProShell with Conductor Rail System SinglePowerLine 0812	20
System Installation Plan – ProShell with Conductor Rail System MultiLine 0831	21
Profile Variants	22
FAQ	23
Conductor Rail Systems – Program Overview	23

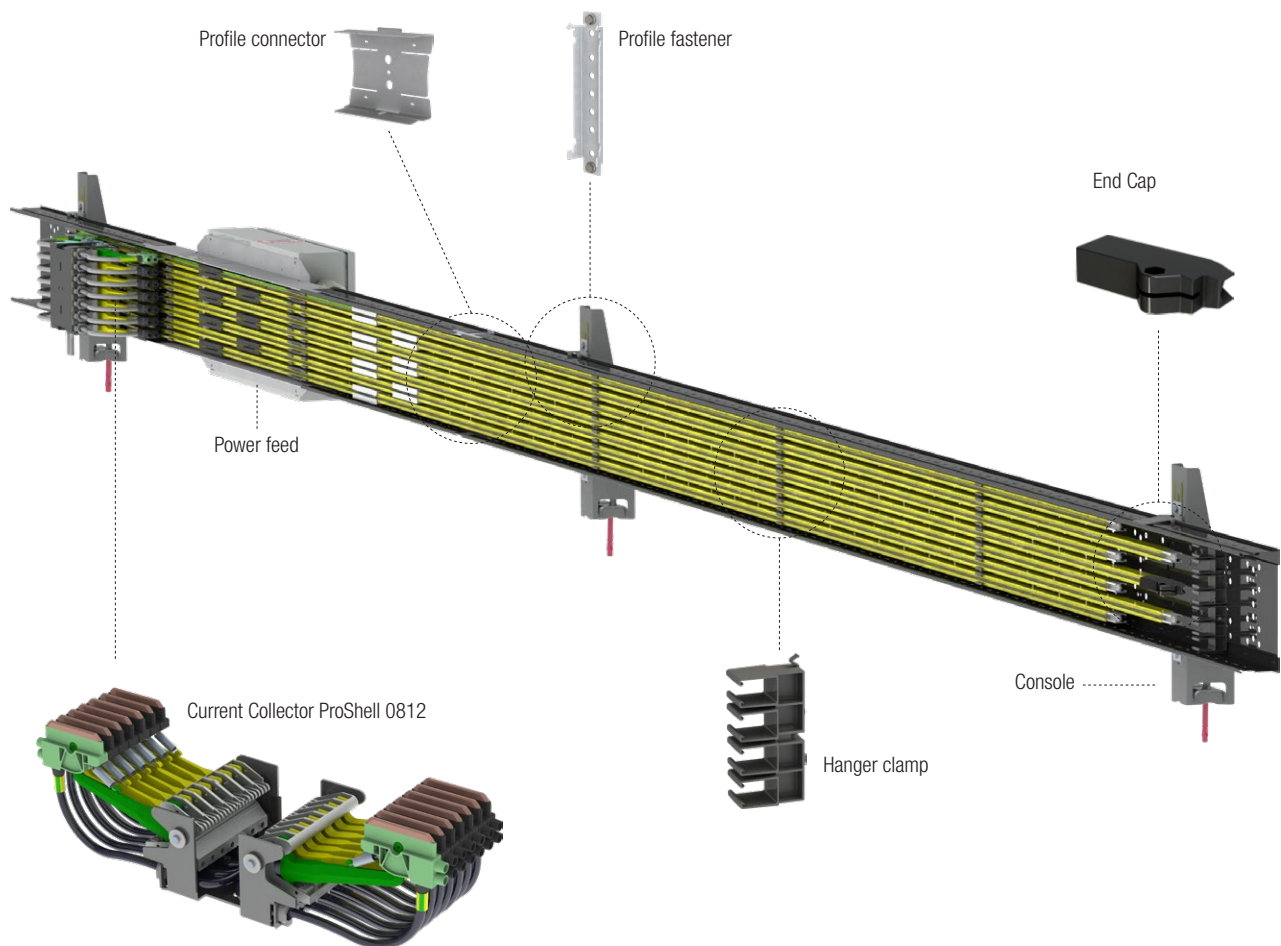
ProShell Support Profile

System Description

The ProShell Support Profile has been designed as a substructure for Conductor Rail Systems SinglePowerLine 0812 and MultiLine 0831 – to supply automated storage and retrieval systems, transfer cars, and similar applications with electrical power.

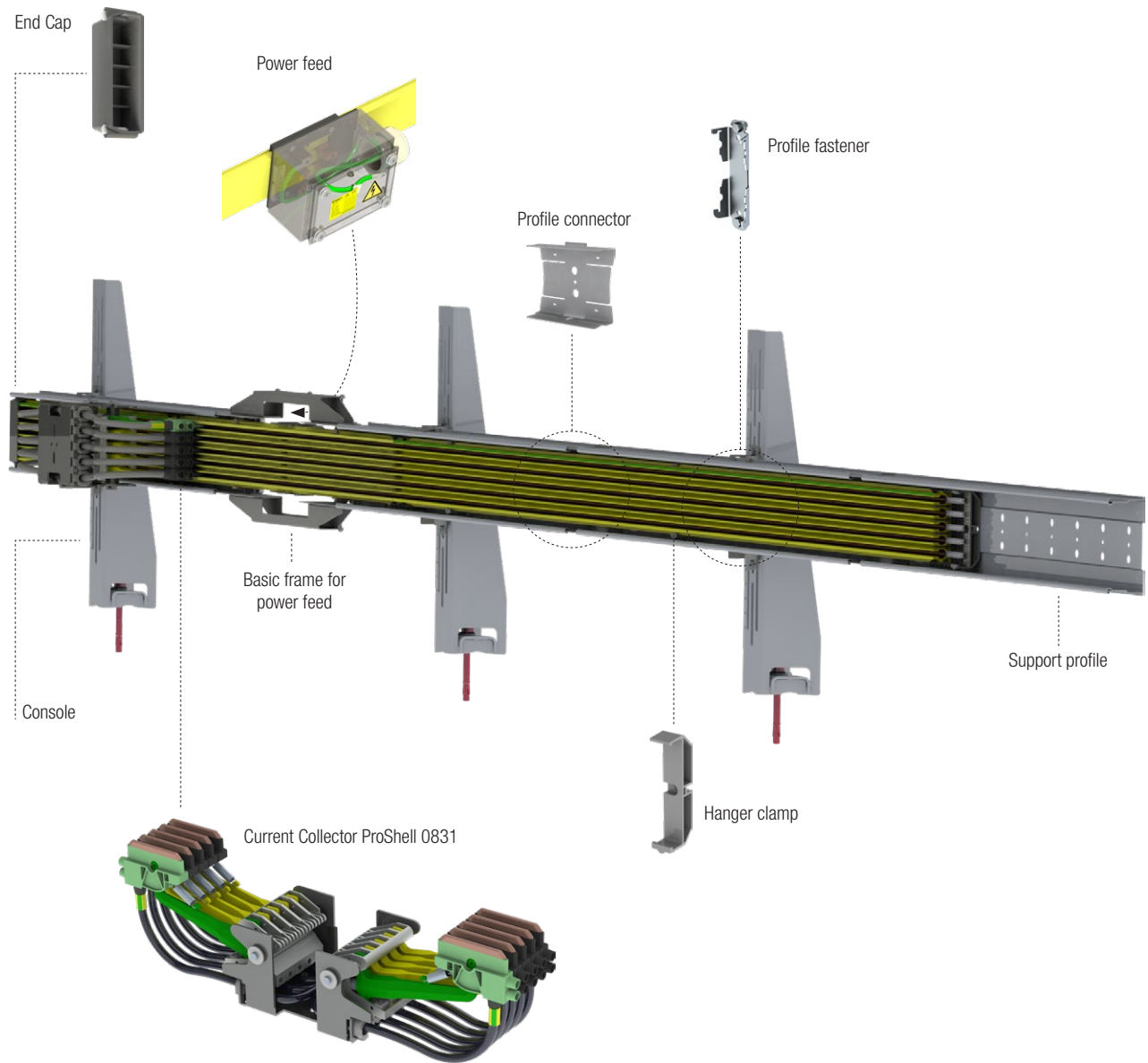
ProShell is a modular, quick-assembly system that allows fast and secure integration of the conductor rails into warehouse and logistics applications with straight track layouts. ProShell consists of just a few individual components that allow for easy installation on shelf uprights or floor mounts. The components are support profiles, profile connectors, profile fasteners, and clip-on hanger clamps to accommodate the conductor rails, as well as optional slotted consoles.

ProShell with Conductor Rail Program SinglePowerLine 0812



ProShell Support Profile

ProShell with Conductor Rail Program MultiLine 0831



ProShell Support Profile

The clever Mounting Solution

The support profile system protects the conductor rails and permits easy integration into warehouse and logistics applications with straight track layouts.

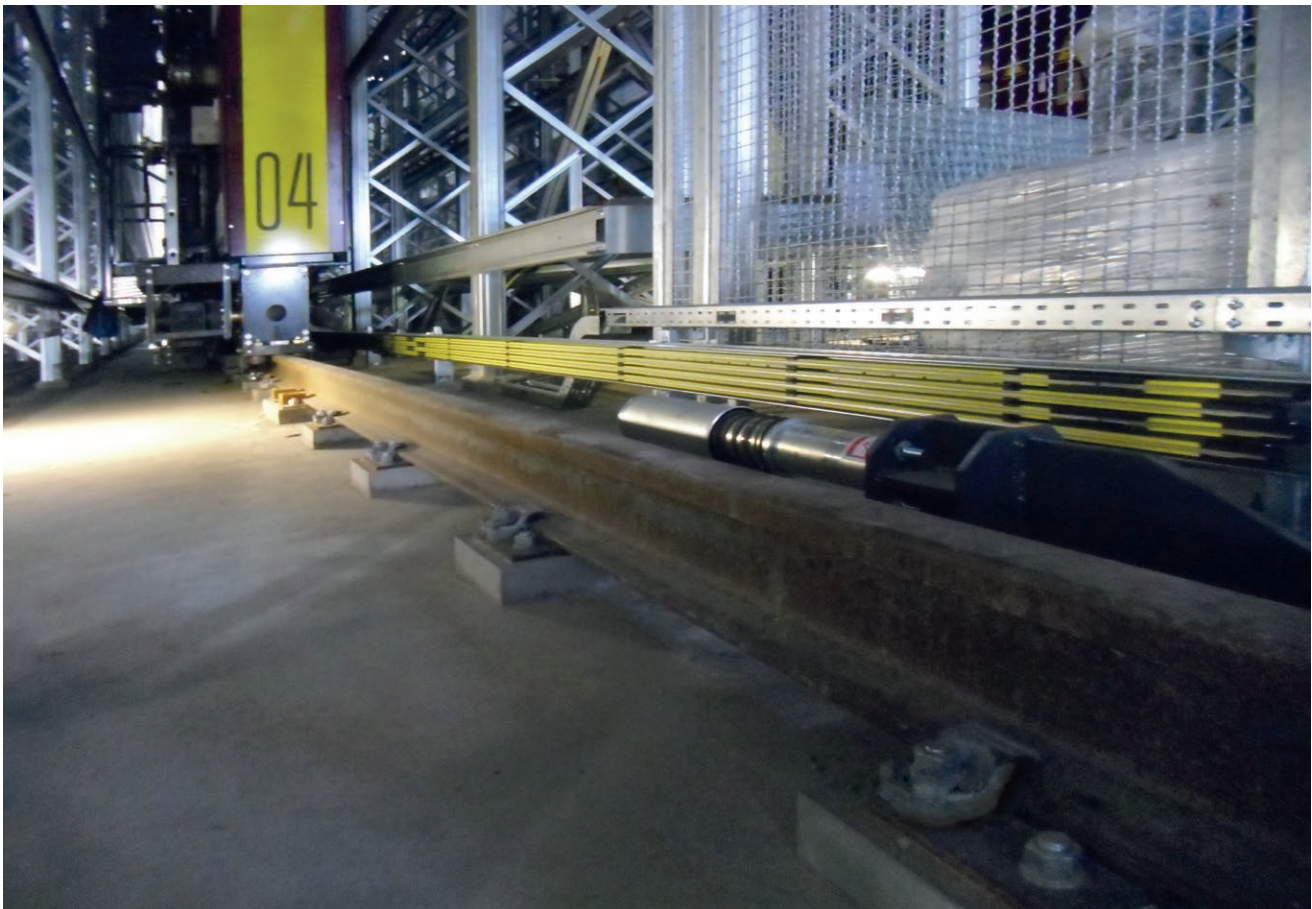
For the planner, this means a standardized, flexible interface and installation space for various numbers of poles and amperages.

Elaborate installation plans are a thing of the past due to variable positioning of the connecting points (quick system fastening) on present shelves, or the optionally available single-hole system consoles.

ProShell is synonymous with robust, sophisticated mounting of conductor rails, as well as economical planning and installation.

System Advantages

- Straight forward handling
- Fast, economical, and easy installation
- Adjustable to the conditions on location
- Supporting structure and protection for Conductix-Wampfler conductor rails
- One system for all capacity ranges 4 to 8 poles, up to 400 A (100% duty cycle)
- Suitable for higher capacities when using energy recovery
- Rounded edges and an optimized assembly load help to prevent injuries
- Easy handling of 4 m component lengths (can be assembled by one person and no excess lengths)
- Variable positioning of the connecting points throughout the system
- Accommodates various standard conductor rail types
- Long support distances (up to 3.2 m)
- Highly flexible and expandable
- Compact modules to accommodate various Conductix-Wampfler conductor rails
- Customized profile fasteners for installation on shelves available by request
- Ready for electrical bonding
- Additional functions are easily integrated, e.g. position detection, data transmission and position markings
- Large cross-sections are energy efficient (aluminum, copper, or Copper**ECO II**)



ProShell Support Profile

Technical Data

Material:	Roll-formed galvanized steel profile with rounded edges and high torsional stiffness				
Corrosion protection:	galvanized				
Installation dimensions:	see Installation plan				
	Example:				
	<table border="1"> <tr> <td>0831 5-pole</td> <td>198 mm x 125 mm</td> </tr> <tr> <td>0812 7-pole</td> <td>211 mm x 183 mm</td> </tr> </table>	0831 5-pole	198 mm x 125 mm	0812 7-pole	211 mm x 183 mm
0831 5-pole	198 mm x 125 mm				
0812 7-pole	211 mm x 183 mm				
Rated suspension spacing:	3200 mm				
Connection to shelves:	By means of screwed-on profile fasteners (customized clip-on or clamping solutions available)				
Conductor rails:	MultiLine 0831 or SinglePowerLine 0812 conductor rail types (rated current: 10 to 400 A)				
Options:	Integrated positioning system				

Modular Concept

The support profile system is provided in convenient modules. It consists of a basic module with a power feed for **SinglePowerLine 0812** or **MultiLine 0831** conductor rail systems, extension modules for the track sections and accessories to interface with the customer's structure (profile fasteners, slotted consoles, as well as accessories for positioning, switching marks, etc.).

Example bill of materials for a 92 m lane:

Position	Quantity	Part No.	Designation	Comment
10	1	08-E015-05XX	Basic module	Variant depending on conductor rail type/number of poles (basic modules: see p. 8/9)
20	2	080043-4311-4-1-C8	Extension module 32 m	8 profiles each at 4 m incl. profile connectors
30	3	080043-4311-4-1-C2	Extension module 8 m	2 profiles each at 4 m incl. profile connectors
40	6	080043-11x11x0XXX	Slotted consoles	Pack of 5 pcs. for area in front of shelf (height of consoles "H": see page 12)
50	6	080043-4311-11	Profile fasteners	Pack of 5 pcs.
60	5	08-S280-06xx	Rail clamps	Pack of 20 pcs., according to conductor rail type
+				
70 ff.	Conductor rail components from programs SinglePowerLine 0812 or MultiLine 0831			



ProShell Basic Modules

Basic Modules Overview

Basic modules include all material needed for a single lane. Different designs are used depending on the conductor rail program, the number of poles, and power feed connection being used.

Every basic module includes:

- a basic framework for power feed or a terminal box
- the power-feed itself for the conductor rails (depending on variant)
- the necessary type and number of end caps
- the necessary type and number of rail anchor clamps
- the necessary type and number of profile anchor clamps
- the cut-to-length material for ProShell
- a small parts kit incl. a selection of spare parts
- installation documents



Available Options						
	Program	4 poles	5 poles	6 poles	7 poles	8 poles
ProShell 128	SinglePowerLine 0812	4	–	–	–	–
	MultiLine 0831	4	5	–	–	–
ProShell 206	SinglePowerLine 0812	–	5	–	7	–
	MultiLine 0831	–	–	3 + 3	4 + 3	4 + 4

Basic Module for Program SinglePowerLine 0812

ProShell basic modules for SinglePowerLine 0812 include all material needed for a single lane and have their own power feed. A different number of poles, conductor rail materials and types of power feed are available. Power is fed via a terminal box or connecting cable.

- Length 2 m
- Basic framework for power feed
- One 1 m long ProShell support profile and 2 profile connectors
- 2 ProShell anchor clamps
- One power feed incl. cut-to-length material
- Two rail anchor clamps per pole
- Two rail end caps per pole
- one rail connector per pole
- suitable compact hanger clamps



Part No.	ProShell	Program	Poles	Type	Material	Description
08-E015-0542	128	SinglePowerLine 0812	4	Terminal box	Copper ECO III	Conductor rail rated current 200 A and 320 A, Terminal box with 1 x M63 screw fitting
08-E015-0526	128		4	Connecting cable	Aluminium, Stainless steel	Conductor rail rated current 200 A and 320 A, 2 x 50 mm ² connecting cable per pole
08-E015-0530	128		4	Connecting cable	Copper	Conductor rail rated current 250 A and 400 A, 2 x 50 mm ² connecting cable per pole
08-E015-0692	206		5	Terminal box	Copper ECO III	Conductor rail rated current 200 A and 320 A, Terminal box with 2 x M63 screw fitting
08-E015-0693	206		7	Terminal box	Aluminium, Stainless steel	Conductor rail rated current 200 A and 320 A, Terminal box with 2 x M63 screw fitting

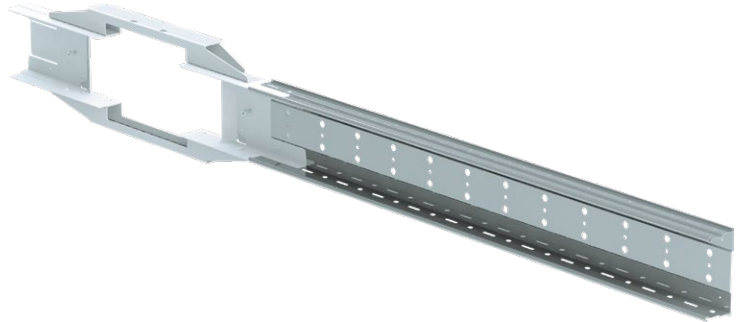
ProShell Basic Modules

Basic Module for Program MultiLine 0831

ProShell basic modules for MultiLine 0831 include all material needed for a single lane; they do not have their own power feed. They can have a different number of poles, but only one type of conductor rail material and one type of power feed.

Suitable power feeds can be found in the MultiLine 0831 catalog. Types of power feed that can be used are: MultiLine 083151, MultiLine 083154, and MultiLine 083152.

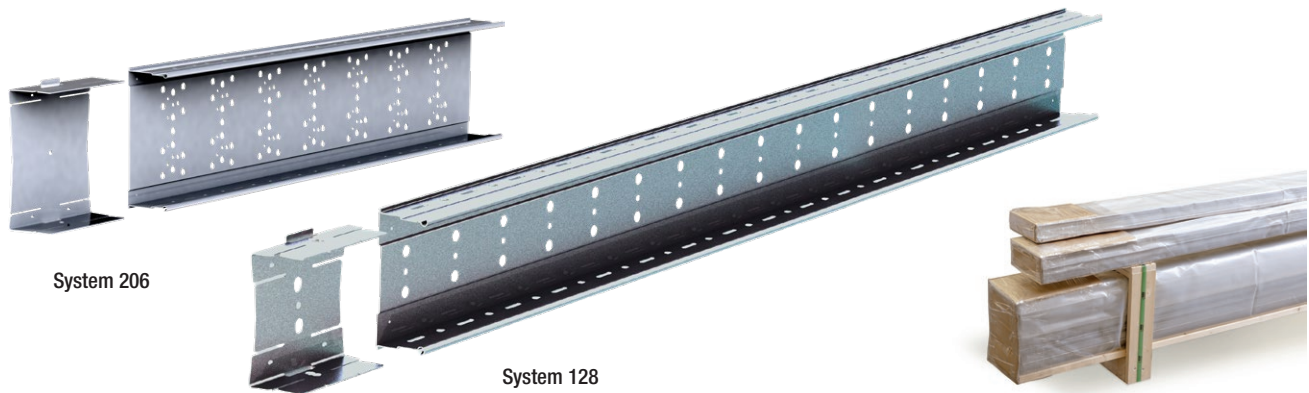
- Length 1.5 m
- Basic framework for power feed
- One 1 m long ProShell support profile and 1 profile connector
- 2 ProShell anchor clamps
- excl. conductor rails and power feed
- suitable anchor clamps and end caps for the conductor rail



Part No.	ProShell	Program	Poles	Type	Description
08-E015-0528	128	MultiLine 0831	4	Framework	Basic module ProShell 128 MultiLine 0831 4P
08-E015-0529	128	MultiLine 0831	5	Framework	Basic module ProShell 128 MultiLine 0831 5P
08-E015-0602	206	MultiLine 0831	4 + 3	Framework	Basic module ProShell 206 MultiLine 0831 4+3P
08-E015-0597	206	MultiLine 0831	4 + 4	Framework	Basic module ProShell 206 MultiLine 0831 4+4P

Extension Modules

Extension modules include 4 m length support profiles and profile connectors. Available in three different packaging sizes.



Part No.	Extension Module	No. of profiles	Weight [kg]	Description
080043-4311-1-1-C2	ProShell 128	2 x 1 m	3.9	Ausbaumodell ProShell 128 0800 2 m
080043-4311-4-1-C2	ProShell 128	2 x 4 m	16.5	Ausbaumodell ProShell 128 0800 8 m
080043-4311-4-1-C8	ProShell 128	8 x 4 m	66	Ausbaumodell ProShell 128 0800 32 m
080043-4311-4-1-C64	ProShell 128	64 x 4 m	528	Ausbaumodell ProShell 128 0800 256 m
080043-4121-1-1-C2	ProShell 206	2 x 1 m	6.8	Ausbaumodell ProShell 206 0800 2 m
080043-4121-4-1-C2	ProShell 206	2 x 4 m	23.9	Ausbaumodell ProShell 206 0800 8 m
080043-4121-4-1-C8	ProShell 206	8 x 4 m	95.5	Ausbaumodell ProShell 206 0800 32 m
080043-4121-4-1-C48	ProShell 206	48 x 4 m	573.2	Ausbaumodell ProShell 206 0800 192 m

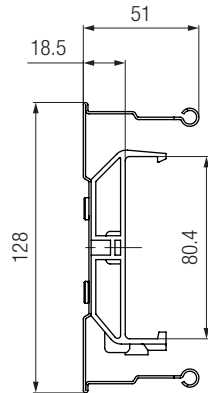
ProShell Support Profile

Hanger Clamps

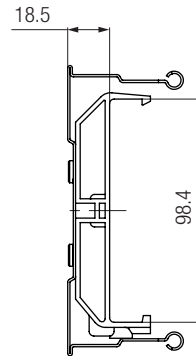
Hanger clamps connect the support profile with the conductor rail system and can be installed without tools (installation with screws optional).

Can be used for ProShell System 128 as well as for ProShell System 206.

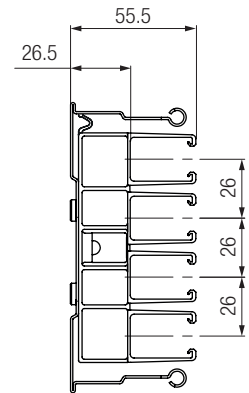
ProShell 128



MultiLine 0831,
4 poles



MultiLine 0831,
5 poles

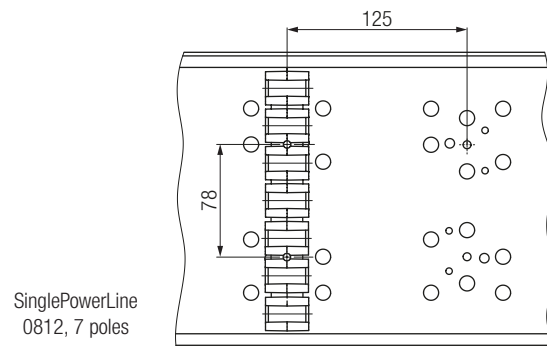


SinglePowerLine
0812, 4 poles

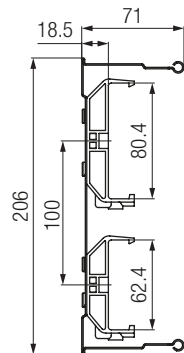
Part No.	Description	Poles	Hanger clamp rated spacing [m]	Weight [kg]
08-S280-0770	Hanger clamp for MultiLine 0831	3	1	0.3
08-S280-0651 *	Hanger clamp for MultiLine 0831	4		0.3
08-S280-0652 *	Hanger clamp for MultiLine 0831	5		0.4
08-S280-0656 *	Hanger clamp for SinglePowerLine 0812	4		0.8
08-S280-0759	Hanger clamp for SinglePowerLine 0812	3		0.03

* Standard range

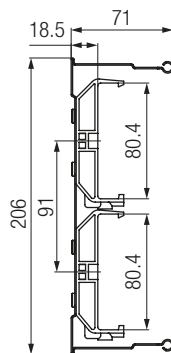
ProShell 206



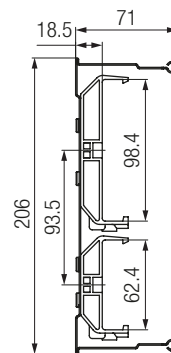
SinglePowerLine
0812, 7 poles



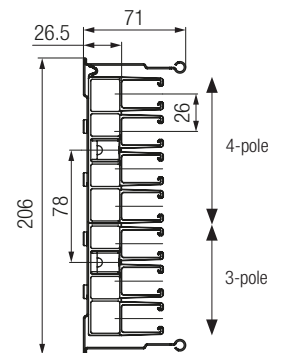
MultiLine 0831,
3+4 poles



MultiLine 0831,
4+4 poles



MultiLine 0831,
5+3 poles

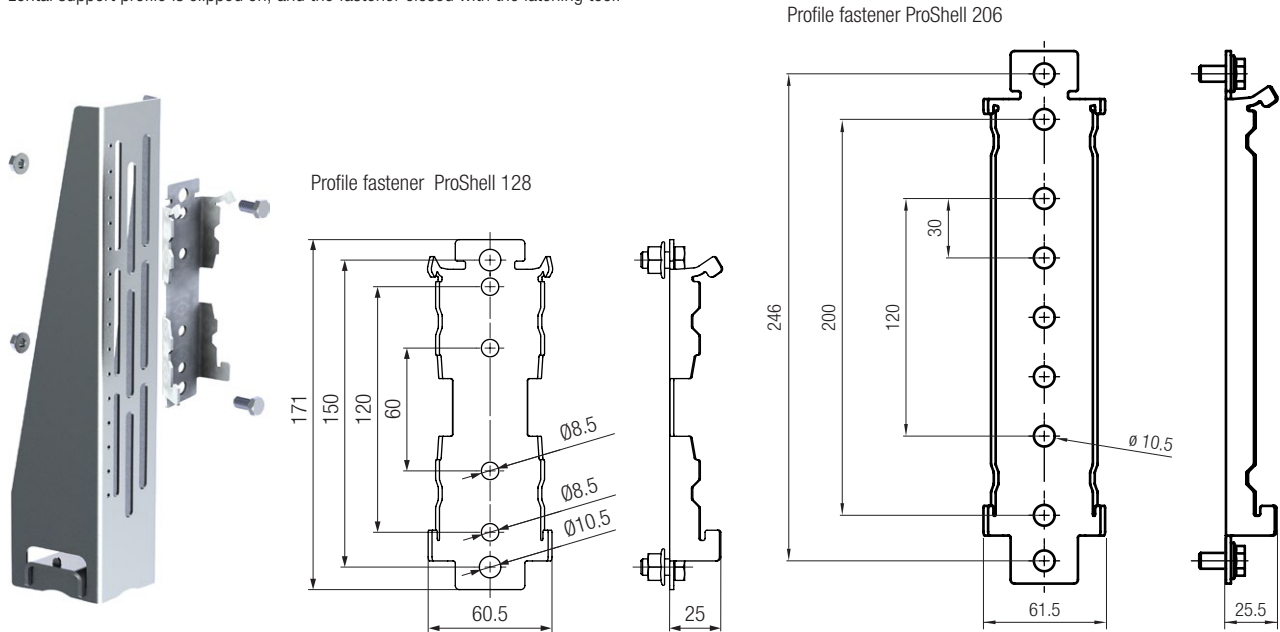


SinglePowerLine
0812, 7 poles

ProShell Support Profile

Profile Fasteners

Profile fasteners are used to mount the support profiles on shelf uprights or slotted consoles. After the fastener is screwed to the upright/vertical support bracket, the horizontal support profile is clipped on, and the fastener closed with the latching tool.

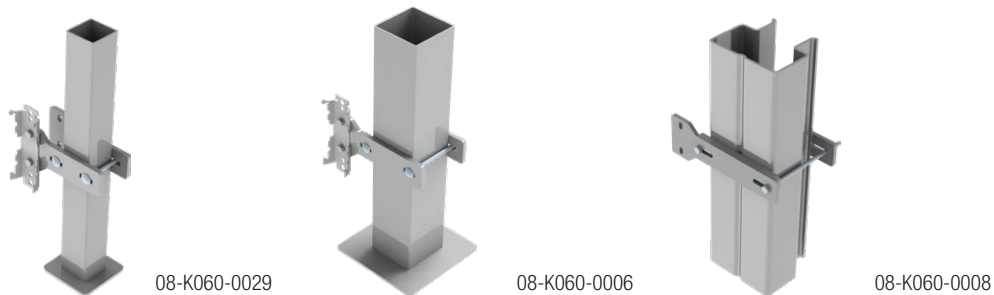


Part No.	Description	Weight [kg]
080043-4314-11C5	Profile Fastener ProShell 128	0.2
080043-4124-11C5	Profile Fastener ProShell 206	0.4

Customized Fasteners for Shelf Uprights

Profile fasteners interfacing with the customer's structure can be customized, to fit the shelves' hole pattern or as a clip-on solution. Customized fasteners are available with a minimum order of 200 units. With your request, please include a drawing of existing structures, installation space, and the desired order quantity.

Part No.	Description	Weight [kg]
08-K060-0006	Customized Fastener ProShell	1.8
08-K060-0008	Customized Fastener ProShell	2.2
08-K060-0029	Customized Fastener ProShell 40-80 mm	1.5



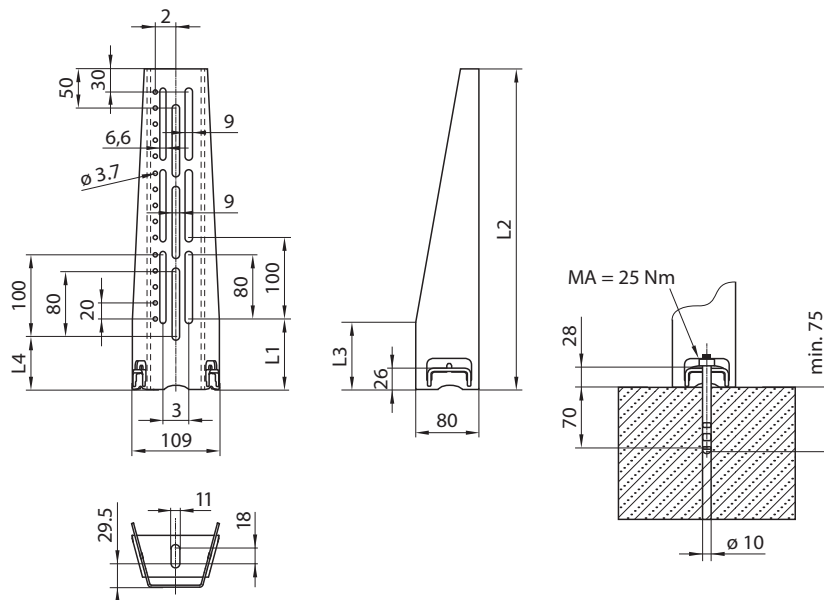
Spacers (for use with Customized Fasteners)

Part No.	Description	Weight [kg]
08-B020-6940	Spacer 3 mm	0.2
08-B020-6942	Spacer 2 mm	0.2
08-B020-6941	Spacer 1 mm	0.05

ProShell Support Profile

Slotted Consoles

Consoles with universal hole pattern and single-hole installation. Provided with heavy-duty dowel HSA M10x113 50/40/10 and washer. Suitable for uncracked concrete floors only. For common concrete grades: min. C20/25 up to max. C50/60.

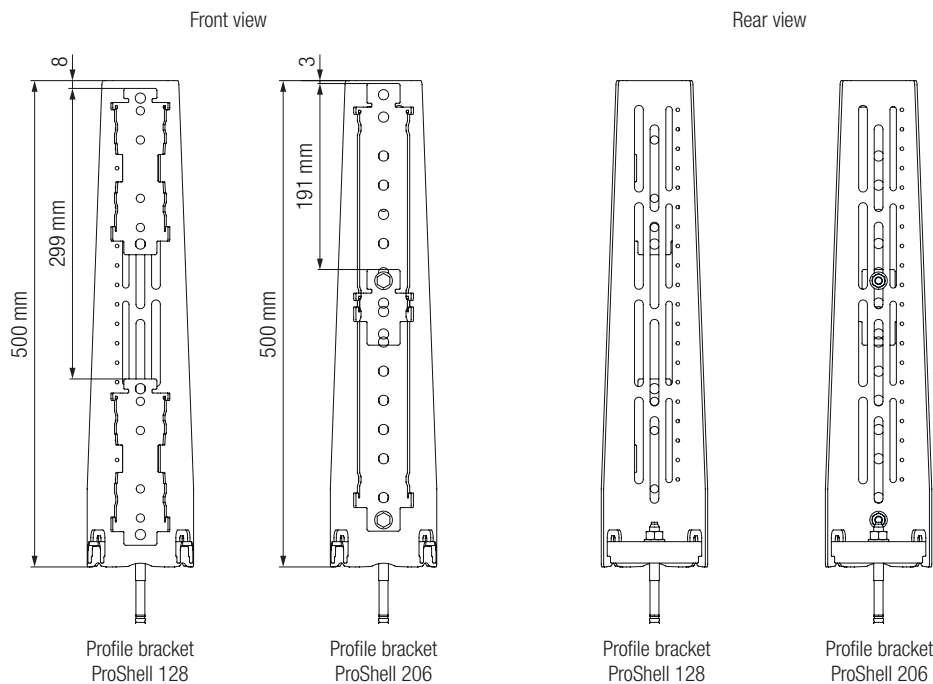


Part No.	Description	L1 [mm]	L2 [mm]	L3 [mm]	L4 [mm]	Packaging size [Pcs.]	Weight [kg]
080043-11x11x0300	Upright H = 300	90	300	80	70	5	5.5
080043-11x11x0400 *	Upright H = 400	90	400	80	70		7.5
080043-11x11x0500 *	Upright H = 500	90	500	80	70		9.5
080043-11x11x0600	Upright H = 600	190	600	180	170		11
080043-11x11x0700	Upright H = 700	290	700	280	270		12

* Standard range

Versatile fastening of the profile brackets:

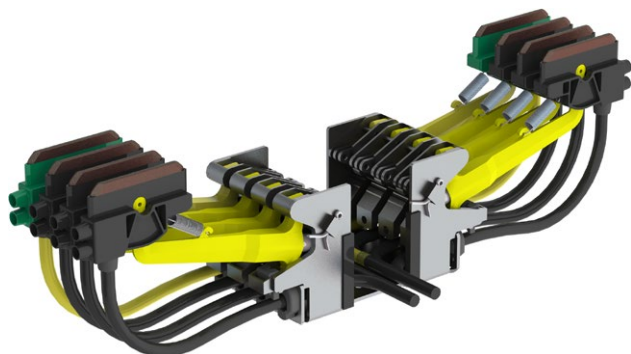
vertical fastening is variable thanks to the uprights' slotted holes





ProShell Support Profile

Current Collector ProShell 0812



Technical Data

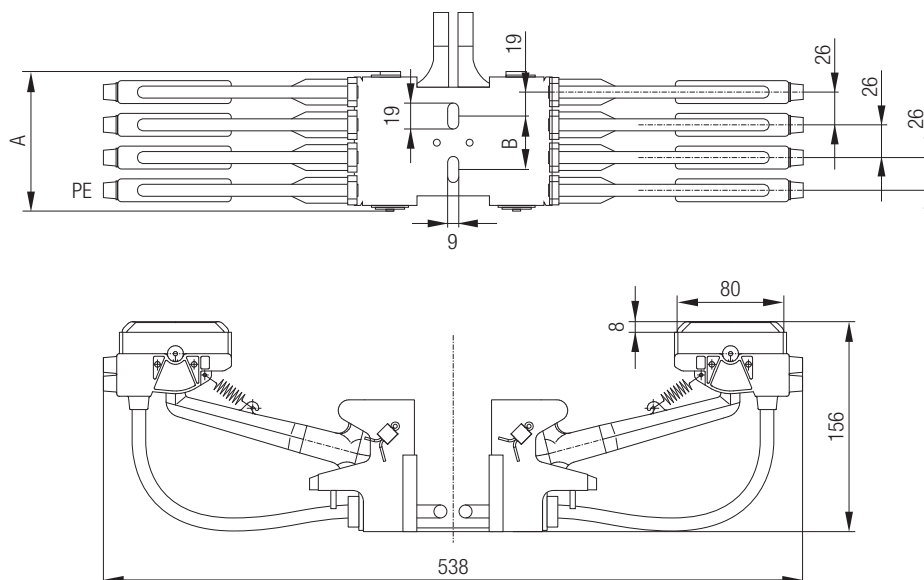
Type:	Dual current collector for reversible operation, distance between poles: 26 mm	Working stroke in insertion direction:	± 30 mm
Max. current capacity:	160 A (for usage with copper rails – current capacities for other conductor rail materials available in their respective catalogs)	Connecting cable:	16 mm ² , high-flexibility
Max. travel speed:	400 m/min	Standard temperature version:	-15° to +55°C, PVC connection line 16 mm ² , high-flexibility
Spring force:	10 N	Low-temperature version:	-30° to +55°C, silicone connecting cable 16 mm ² , high-flexibility, 4 m long, with enhanced insulation only
Lateral deviation:	± 20 mm		

Available configurations for current collector 0812:

Number of poles:	4, 5, or 7 poles
Cable length:	0.5 m – 10 m

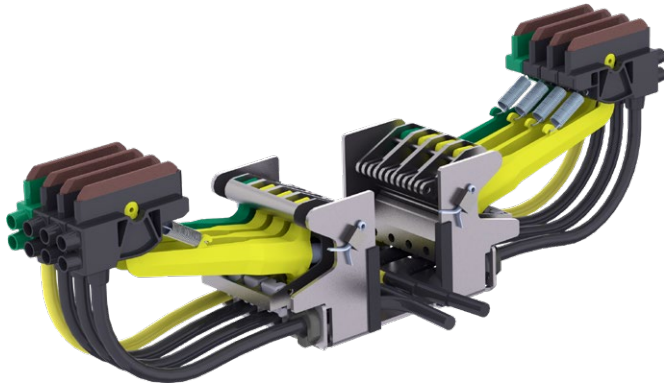
Part No.	Description	Weight [kg]
08120A-X#	Current Collector 0812 PROSHELL CONFIG, Standard	Config. mat.
08-S265-2237	Current Collector 0812 2 x 4 pole 80A PH REV GA SP, low-temp	10.5

Poles	A [mm]	B [mm]
4	116	40
5	142	50
7	194	90



ProShell Support Profile

Current Collector ProShell 0831



Technical Data

Type:	Dual current collector for reversible operation, distance between poles: 18 mm	Working stroke in insertion direction:	± 30 mm
Max. current capacity:	160 A (for usage with copper rails – current capacities for other conductor rail materials available in their respective catalogs)	Connecting cable:	16 mm ² , high-flexibility
Max. travel speed:	400 m/min	Standard temperature version:	-15° to +55°C, PVC connection line 16 mm ² , high-flexibility
Spring force:	10 N	Low-temperature version:	-30° to +55°C, silicone connecting cable 16 mm ² , high-flexibility, 4 m long, with enhanced insulation only
Lateral deviation:	± 20 mm		

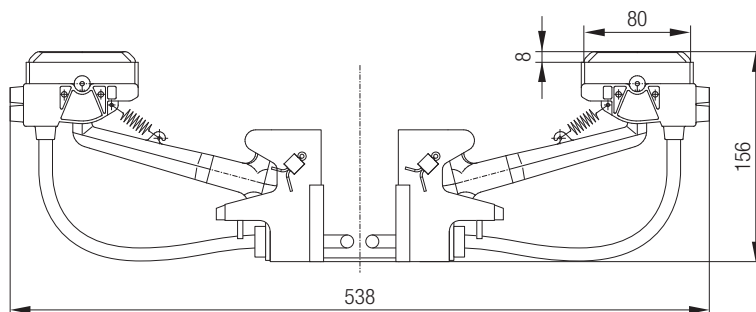
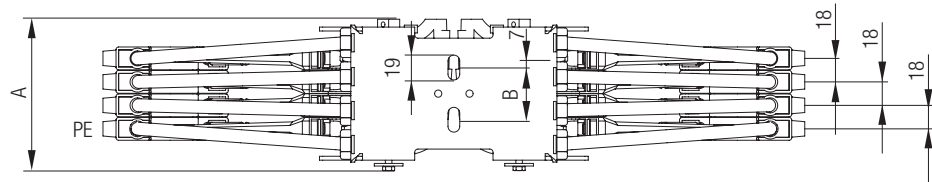
Available configurations for current collector 0831:

Number of poles:	3, 4, or 5 poles
Cable length:	0.5 m – 10 m

Current Collector ProShell 0831 can be customized for both sides in number of poles, cable length, and PE position.

Part No.	Description	Weight [kg]
08310A-X#	Current Collector 0831 PROSHELL CONFIG, Standard	Config. mat.
08-S265-2259	Current Collector 0831 4P2PE 80A16 REV SP, low-temp	10.5

Poles	A [mm]	B [mm]
3	76	30
4	116	40
5	134	40



ProShell Support Profile

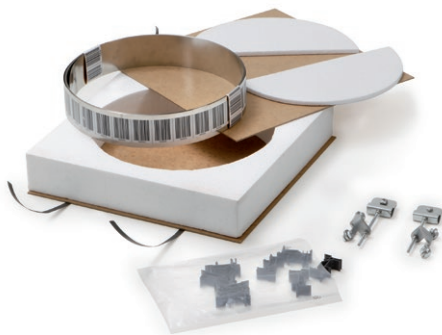
Positioning System

The positioning module permits fast and flexible integration of the LEUZE barcode tape for positioning with barcode readers BPS 34 and 37. The barcode tape is affixed to a stainless steel strip at our factory according to customer specifications. It is securely fastened to the ProShell system with clip-on holders and two clamping elements. The barcode tape can be fastened above or below the support profiles.

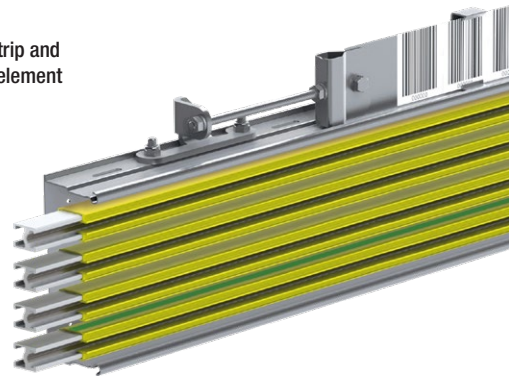
The module is configured according to the customer's order and contains all parts needed for attachment to the support profile. Bonding of the barcode tape occurs automatically under ideal conditions to avoid elongation of the tape and subsequent measuring errors. Since the support profile and barcode strip are separate units, assembly errors are virtually impossible. Repairs of the barcode strip, particularly in deep freeze plants, can be done quickly and easily.

For long transports or long storage we recommend ordering the barcode tape unattached.

Positioning Module



Barcode strip and clamping element



Part No.	Length [m]	Weight [kg/m]
080243-1#	10 – 200	0.08

Positioning System

Contents of packaging unit

- 1 x stainless steel strip 50 x 0.2 mm with affixed barcode tape up to 200 m length
- 2 x clamping elements for attachment to support profile
- Clip-on holders for barcode strip guidance (one per meter)
- Delivery includes marking of the stated delivery identification/installation site

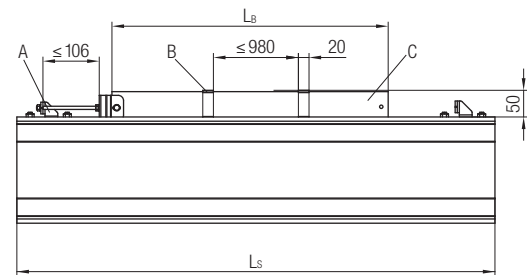
Necessary order information

- Desired type of barcode tape:
 - BCB G40 H47
 - BCB G30 H47
 - steel strip only, without barcode tape
- Installation position (above or below the support profile)
- Length of barcode tape (200 m max.)
- All standard barcode strips start at figure 0.
 - Special strips starting at a figure other than 0 can be delivered at extra cost

Notes

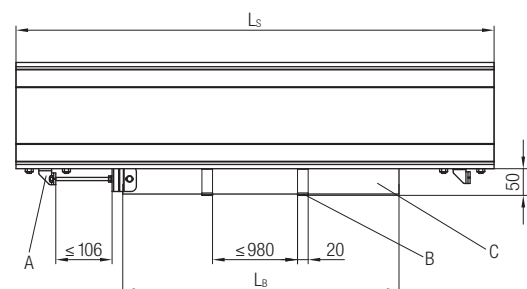
- Barcode reader not included
- Further information on the barcode tape system "BCB" and the barcode readers "BPS" is available on the Leuze company website: www.leuze.com

Fastening above the support profile



L_B = Length of barcode tape L_S = System length
 A = Clamping element B = Clip-on holder C = Barcode tape

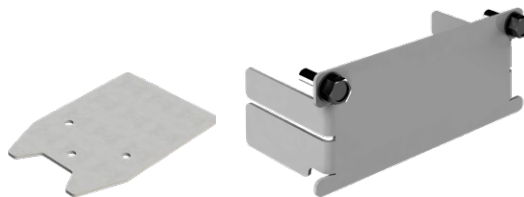
Fastening below the support profile



ProShell Accessories

Basic Equipment ProShell

Anchor clamps and end caps for ProShell when no basic module is used, or as spare parts.



Part No.	Description	Weight [kg]
08-Z009-0022	Accessories ProShell 128 (basic module without framework = anchor clamps and end caps)	0.13
08-Z009-0031	Accessories ProShell 206 (basic module without framework = anchor clamps and end caps)	0.43

Strain Relief for Basic Modules ProShell MultiLine 0831

Easily installed strain relief, e.g. for cables from MultiLine 0831 power feeds.

Can be fitted to the back of a basic module with the screws provided.

For up to 5 cables with max. 35 mm².



Part No.	Description	Weight [kg]
08-Z008-0001	Strain Relief ProShell 5 poles	0.15

Track Grounding SinglePowerLine 0812

For SinglePowerLine 0812.

Grounding connector for regular intermediate grounding of long tracks.

This component replaces a standard conductor rail connector for

0812 Aluminum/Copper **ECO III** rails.

Grounding is done with

- 16 mm² stranded cable between connector and ProShell

- externally, an M8 screw with grounding marking

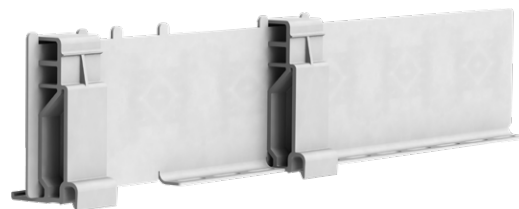


Part No.	Description	Weight [kg]
08-S212-0004	Protective earth connection cable 1x16 for SinglePowerLine 0812 200 / 320 A AL and Copper ECO III	0.23

ProShell Spare Parts

Switching Flag ProShell

Metal switching flag, e.g. to affix,
incl. fitting material for fastening on ProShell.



Part No.	Description	Weight [kg]
08-H016-0324	Switching Flag for ProShell	0.11

Profile Connector Repair Kit for ProShell

Screwable connector, does not need to be tucked in.
Therefore it can be installed in the middle of a system,
e.g. when repairing in the middle of a lane.



Part No.	Description	Weight [kg]
08-V001-0555	Connector Repair Kit ProShell 128	0.8
08-V001-0556	Connector Repair Kit ProShell 206	0.8

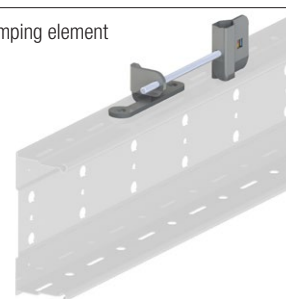
Barcode Strip Spare Parts

Small parts for replacement or retrofitting of existing installations

Barcode strip fastener

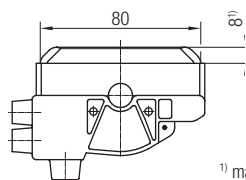


Clamping element

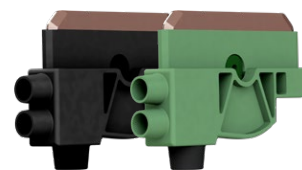


Part No.	Description	Weight [kg]
08-H016-0263	Barcode strip fastener ProShell 100 pcs.	0.006
08-S008-0329	Clamping element for mounting on ProShell	0.46

Current Collector Head 80 A (081001-...)



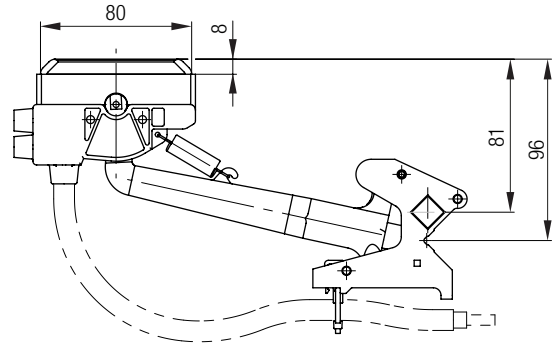
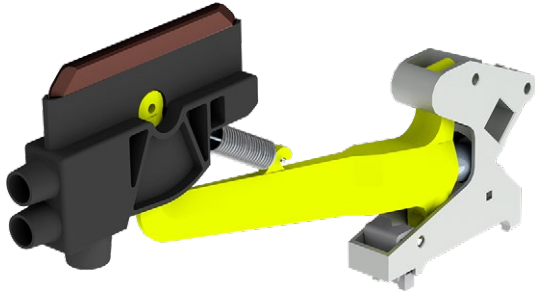
¹⁾ max. wear height



Collector Head with phase (PH) Part No.	Collector Head with grounding (PE) Part No.	Colors	I [A]	for Current Collector and Current Collector Units	Weight [kg]
081001-12	081001-22	PH: black; PE: green	80	083106-... / 083107-...	0.09

ProShell Spare Parts/Tools

Current collector arm, single, as a replacement part for the ProShell current collector



Part No.	Description	PH/PE	Rated current [A]	for Current Collector	Weight [kg]
08-S265-1415	Current collector arm ProShell, replacement part PH	PH	80 A	08120A-X# , 08310A-X#	0.253 kg
08-S265-1416	Current collector arm ProShell, replacement part PE	PE	80 A	08120A-X# , 08310A-X#	0.253 kg

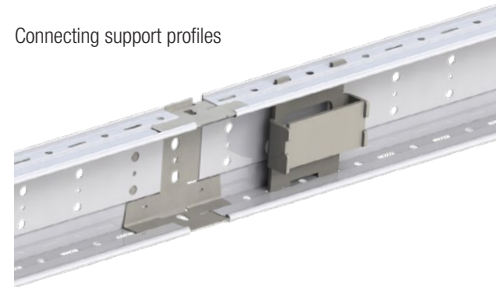
Tools

In addition to standard tools, this tool set is necessary for locking the profile fasteners and connecting the support profiles.

Locking profile fasteners



Connecting support profiles



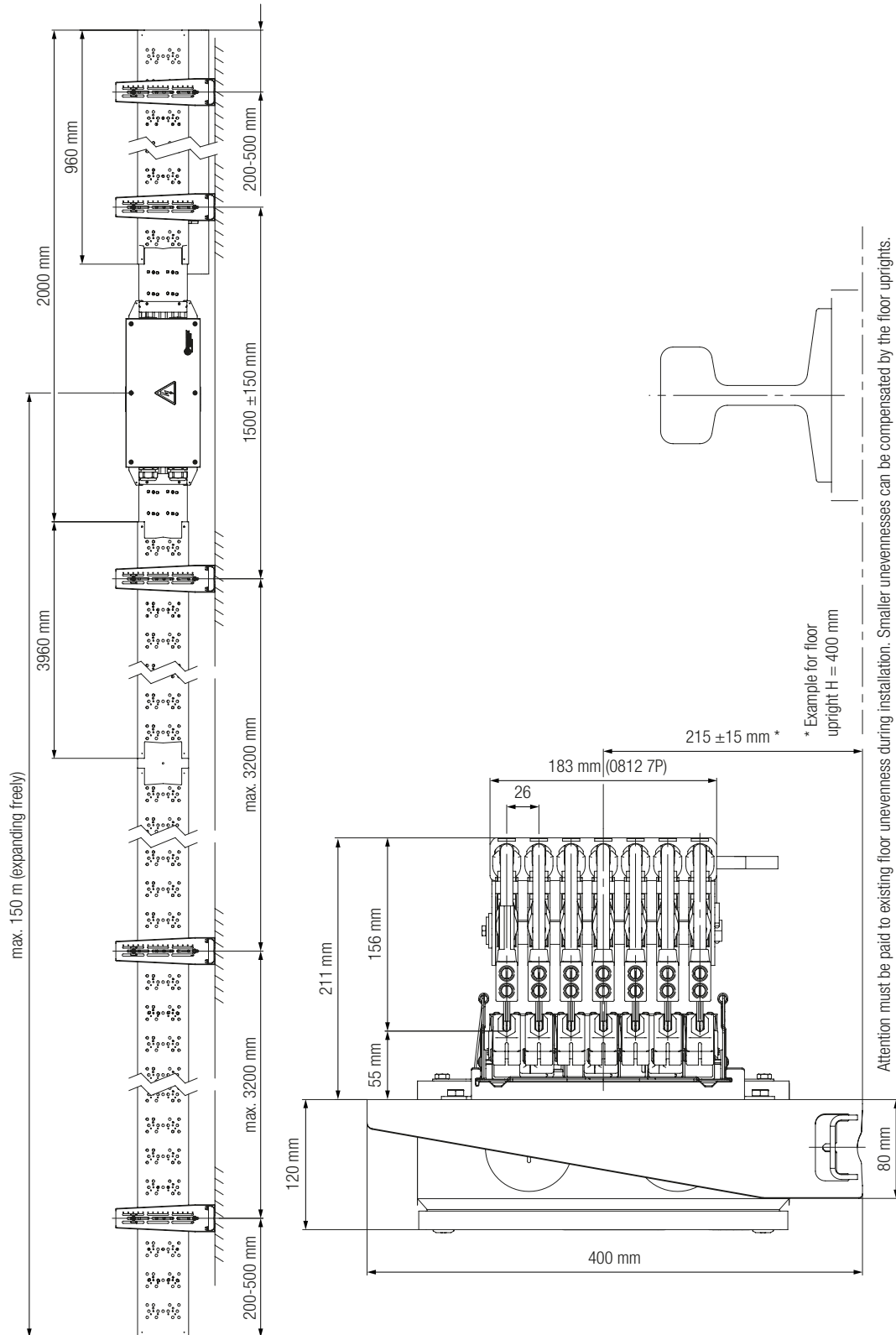
Support bracket hinged to support profile, to position conductor rails during installation

Part No.	Description	Contents	Weight [kg]
08-W100-0592	Tool set ProShell 128	1 x locking tool for profile fasteners 128 1 x locking tool for profiles 128 5 x support brackets to position conductor rails 128	2.575
08-W100-0604	Tool set ProShell 206	1 x locking tool for profile fasteners 206 1 x locking tool for profiles 128 5 x support brackets to position conductor rails 206	3.0
08-W100-0607	Dismantling tool for SinglePower-Line 0812 hanger clamps	1 x Dismantling tool	0.19

ProShell Support Profile

System Installation Plan – ProShell 206 with Conductor Rail System SinglePowerLine 0812

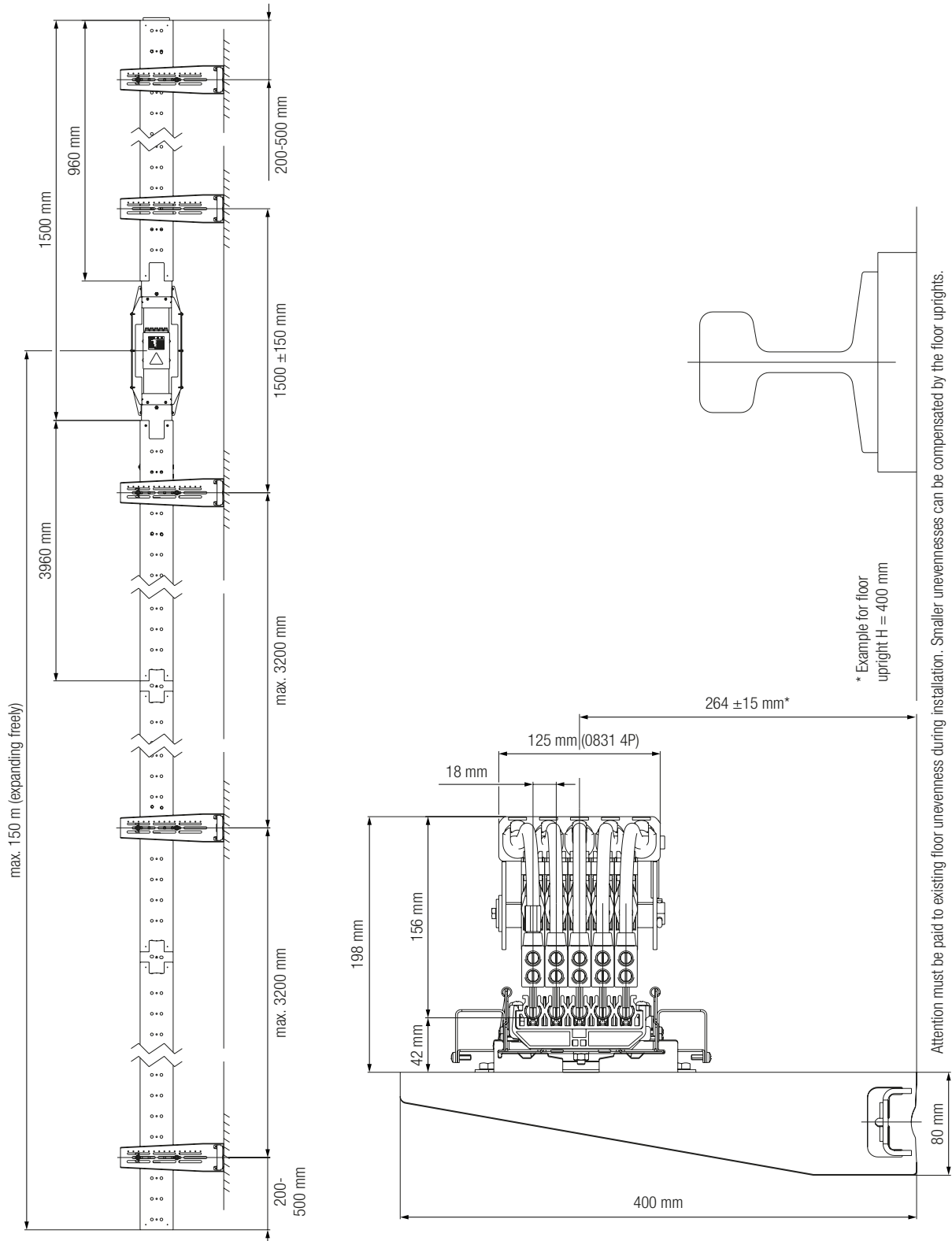
As a modular system, ProShell permits a user-defined, infinitely adjustable connection to shelf uprights or consoles, or free choice of the upright positions, respectively. This means fasteners can be positioned anywhere along the support profile, except at power feed locations. Individual installation plans and as-builts are not necessary.



ProShell Support Profile

System Installation Plan – ProShell 128 with Conductor Rail System MultiLine 0831

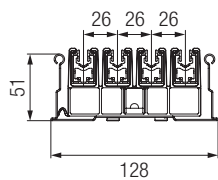
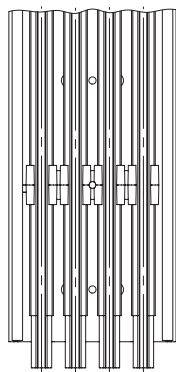
As a modular system, ProShell permits a user-defined, infinitely adjustable connection to shelf uprights or consoles, or free choice of the upright positions, respectively. This means fasteners can be positioned anywhere along the support profile, except at power feed locations. Individual installation plans and as-builts are not necessary.



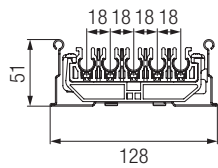
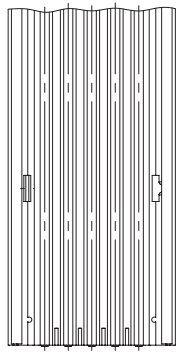
ProShell Support Profile

ProShell 128 variants

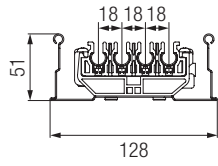
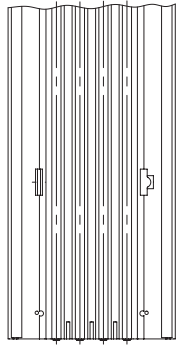
0812 4 poles



0831 5 poles

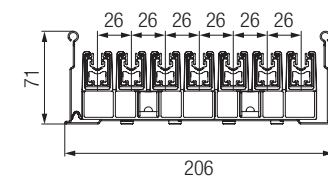
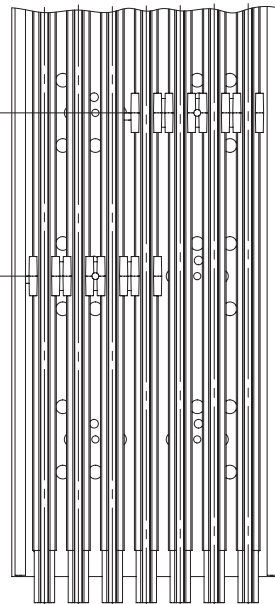


0831 4 poles

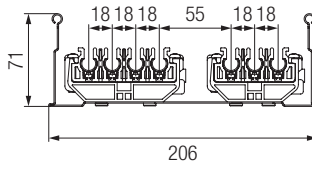
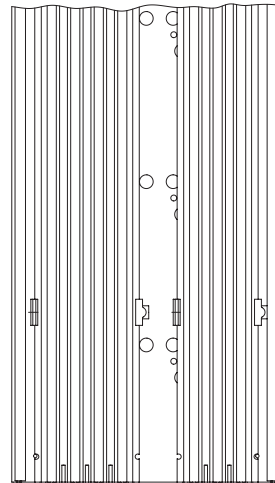


ProShell 206 variants

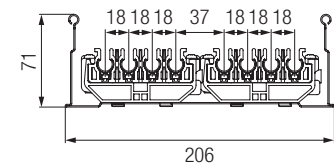
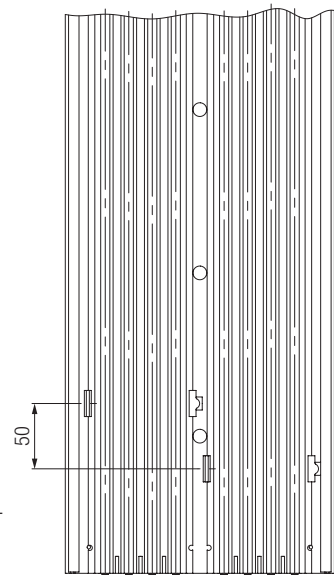
0812 7 poles



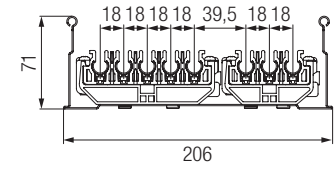
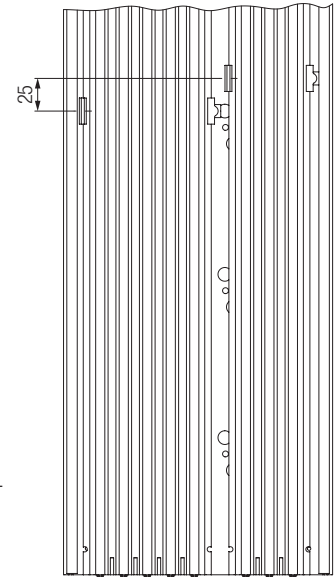
0831 4+3 poles



0831 4+4 poles



0831 5+3 poles



ProShell Support Profile – FAQ

What is the correct interval between slotted consoles?

One of the main advantages of the ProShell support system is that it allows the conductor rails to be supported at greater intervals between the slotted consoles. When positioning the slotted consoles, only two factors have to be taken into account:

- a) Location of the power feed
- b) Maintaining a maximum support distance of 3.2 m

Observing these two factors, slotted consoles can be connected to the shell profile anywhere along the track, including the locations of profile connectors.

Are specific installation drawings included in the scope of delivery?

The ProShell system is defined by the length of the host system and position of the power feed, according to customers' requirements. Positioning of the slotted consoles and or connections to existing shelf uprights can be done anywhere along the track, except at the location of the power feed. Thus, installation plans are unnecessary and are not included in the scope of delivery.

Are installation plans available as an optional extra?

Installation plans, if desired, are available for a fee based upon our hourly rates for engineering services.

What is the lowest feasible voltage/amperage for data transmission?

Conductor rail systems are unshielded, contact-based systems and therefore of limited use in lower power ranges. Signal voltage should be high enough to accommodate the voltage drop and to ensure an appropriate disturbance-free voltage range. Currents should be higher than 1A, optimally higher than 3A, to ensure necessary "cleansing" of contact surfaces. Please consult us in regards of data transmission, and use appropriate transparent power amplifiers, such as the Powertrans system from Conductix-Wampfler.

Kann ProShell auch mit Eingriff nach unten oder senkrecht, z.B. an einem Mast, montiert werden?

ProShell ist in der Standardausführung nicht für den Eingriff von unten oder die senkrechte Montage vorgesehen. Bei diesen Einbaulagen ist die Fixierung der Schiene und evtl. das Dehnkonzept nicht ausreichend.


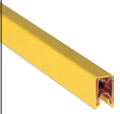
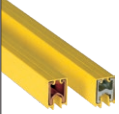
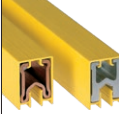

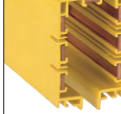
Can ProShell be used for curved tracks as well?

The ProShell system is designed for linear tracks, such as warehouse aisles or straight transfer car routes. It is not intended to be used for curved tracks.

Can ProShell be delivered with a higher number of poles?

The ProShell system is designed for use with up to 8 poles (Conductor Rail MultiLine 0831) or up to 7 poles (Conductor Rail SinglePowerLine 0812). For a higher number of poles, ProShell systems can be installed in parallel – or other solutions from Conductix-Wampfler may be used.

Conductor Rails from Conductix-Wampfler

System Type	Single pole insulated conductor rails				Compact conductor rails	Enclosed Rail
Conductor Rail System	Program 0811	Program 0815	Programm 0812 SinglePowerLine	Program 0813	Programm MultiLine 0831	Program 0842
						
Rated Current ¹⁾ [A]	10-100	100	25 - 400	200 - 1250	10-125 ³⁾	35 - 140 ⁵⁾
Rated Voltage [V]	500	500	660	660	500	690 V (4 and 5 poles)/ 400 V (7 poles)
Suspension Spacing [m]	0.4-1.0	0.5	1.5	2.5	1	2
Rail Length ²⁾ [mm]	4000	4000	4000	5000	4000	4000
Outer Dimensions [mm]	14.7 x 15.5	9.6 x 15.2	18 x 26	32 x 42	3 poles: 26 x 62 4 poles: 26 x 80 5 poles: 26 x 98	5 poles: 56 x 90 7 poles: 56 x 90

www.conductix.com

Conductix-Wampfler

has just one critical mission:
To provide you with energy and
data transmission systems that
will keep your operations up
and running 24/7/365.

To contact your nearest
sales office, please refer to:

www.conductix.contact

